

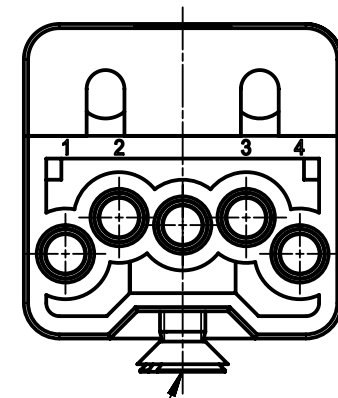
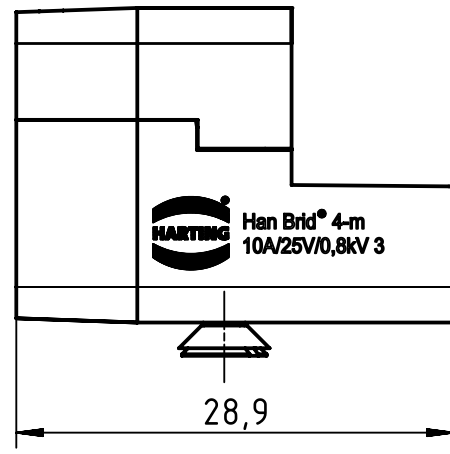
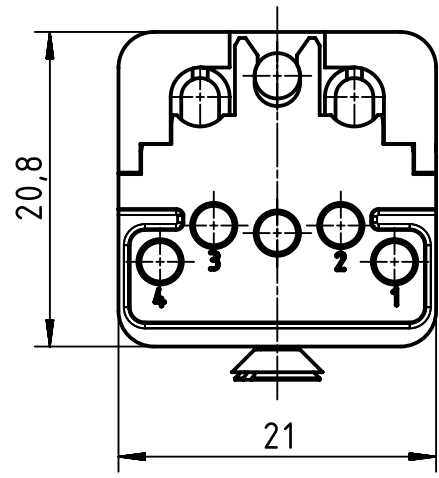
1 2 3 4 5 6

A

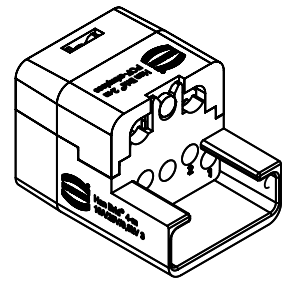
B


C

D



countersunk screw M3x6
enclosed separately



	All rights reserved Department EL PD - DE	All Dimensions in mm Original Size DIN A4		Scale 2:1	Free size tol.	Ref. Sub.
		Created by RULLKOETTER	Inspected by RIEPE	Standardisation RUETERA	Date 2017-10-04	State Final Release
HARTING Electric GmbH & Co. KG D-32339 Espelkamp		Title Han 4Brid-M-c + 2LWL-M-POF-Halt.-c (K)			Doc-Key / ECM-Nr. 100205824/UGD/004/A 500000126086	
		Type TB	Number 09 12 004 3003		Rev. A	Page 1/1